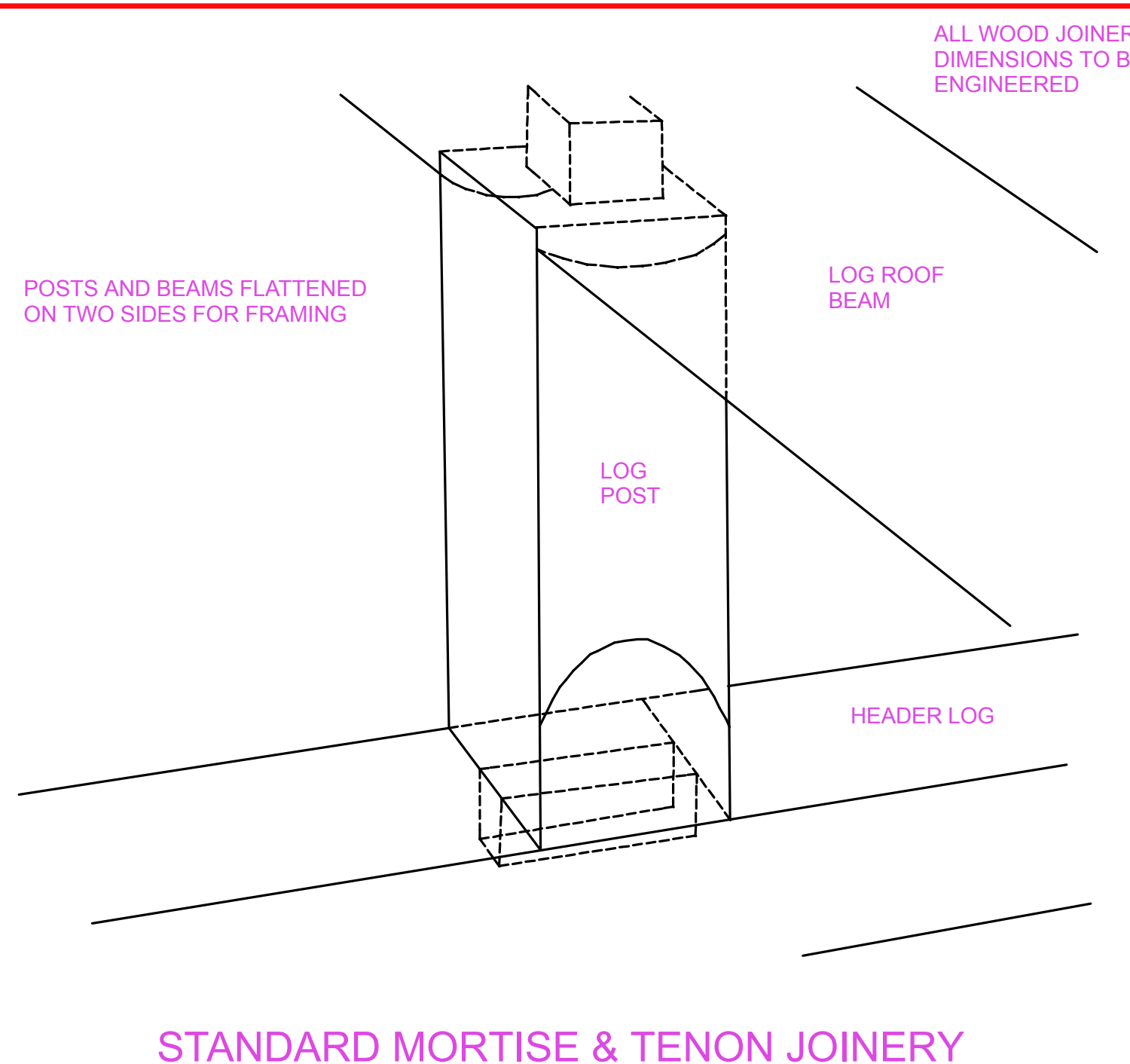


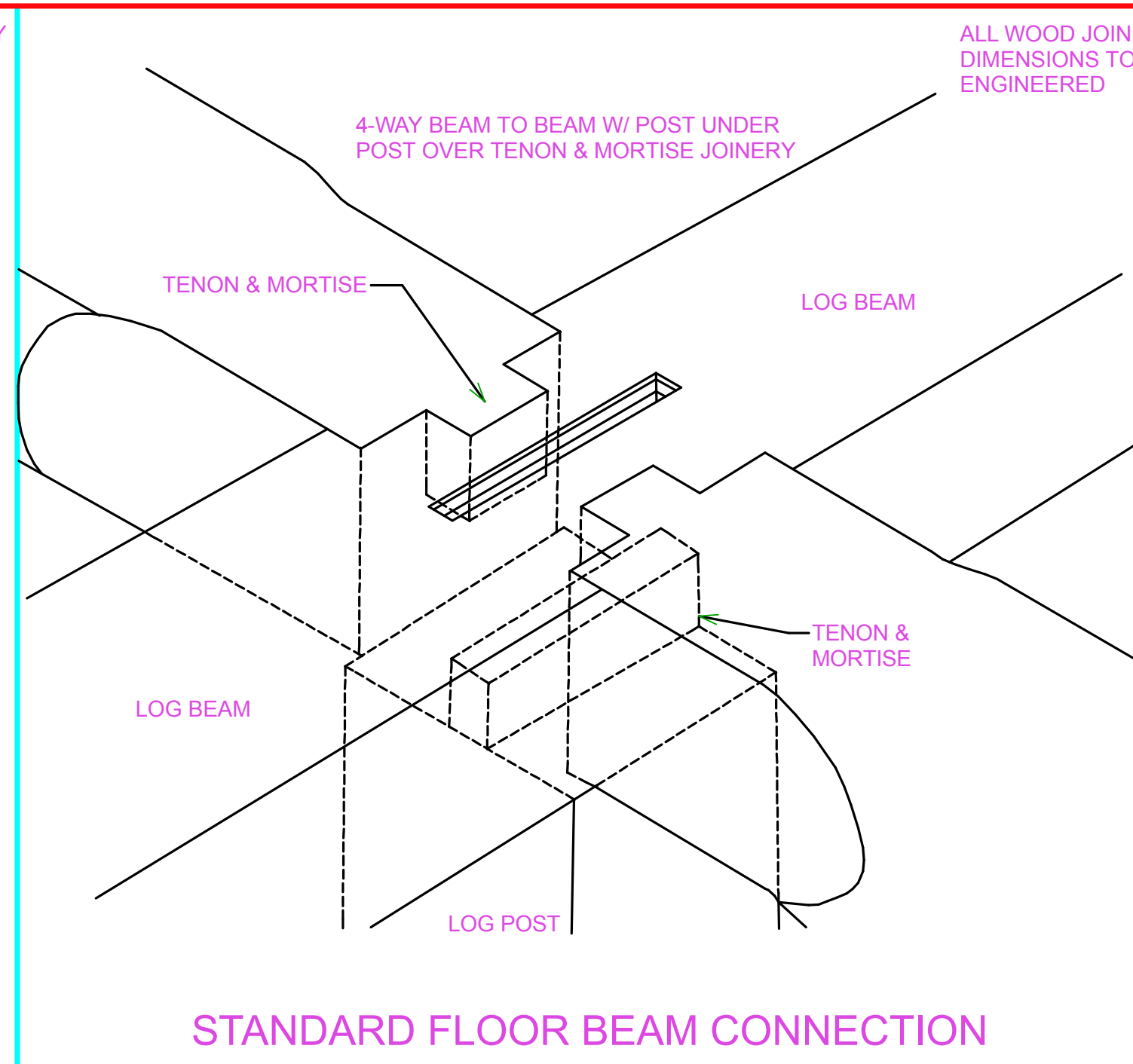
BEAM SPLICE INTO POST

ALL WOOD JOINERY DIMENSIONS TO BE ENGINEERED



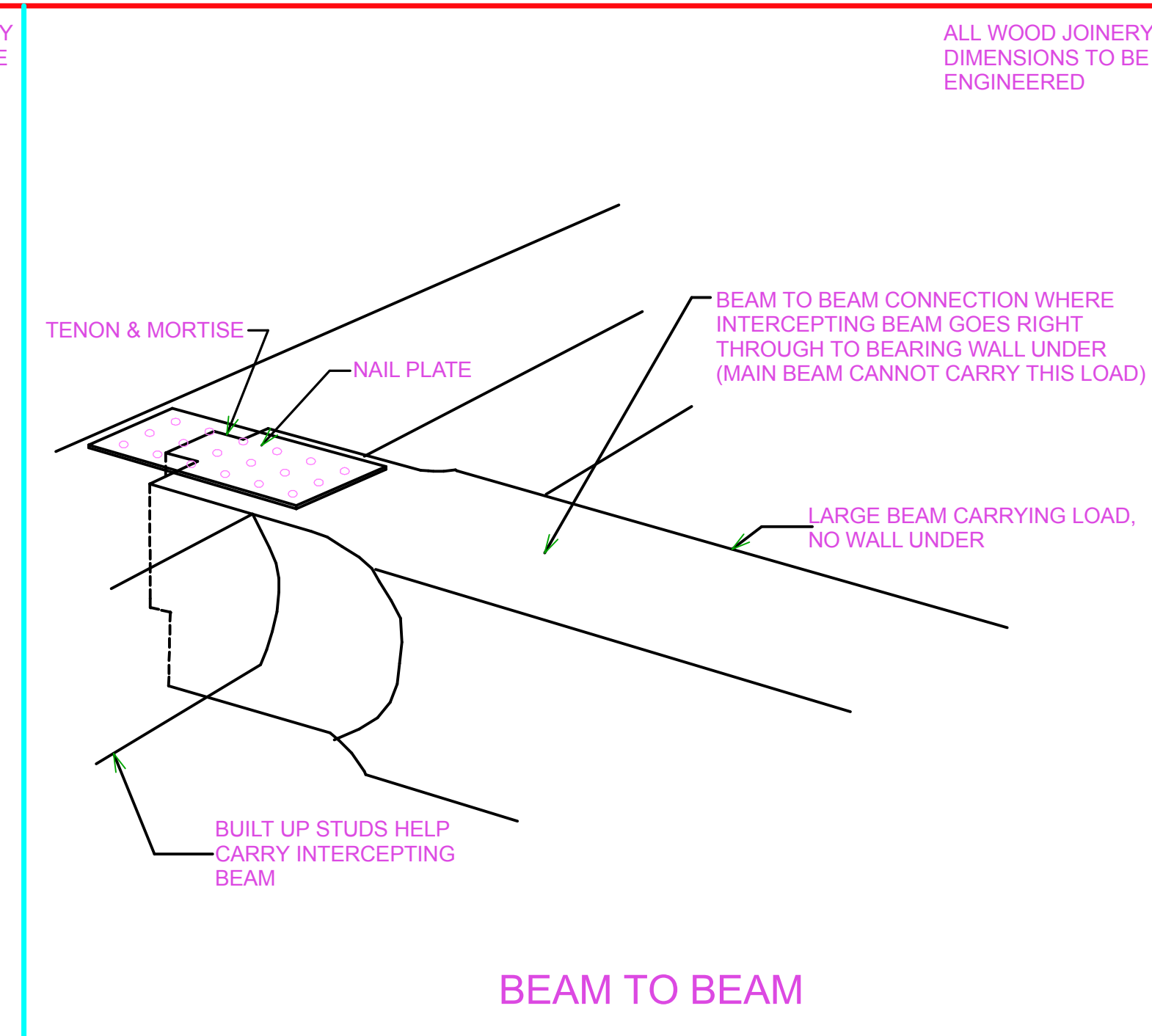
STANDARD MORTISE & TENON JOINERY

ALL WOOD JOINERY DIMENSIONS TO BE ENGINEERED



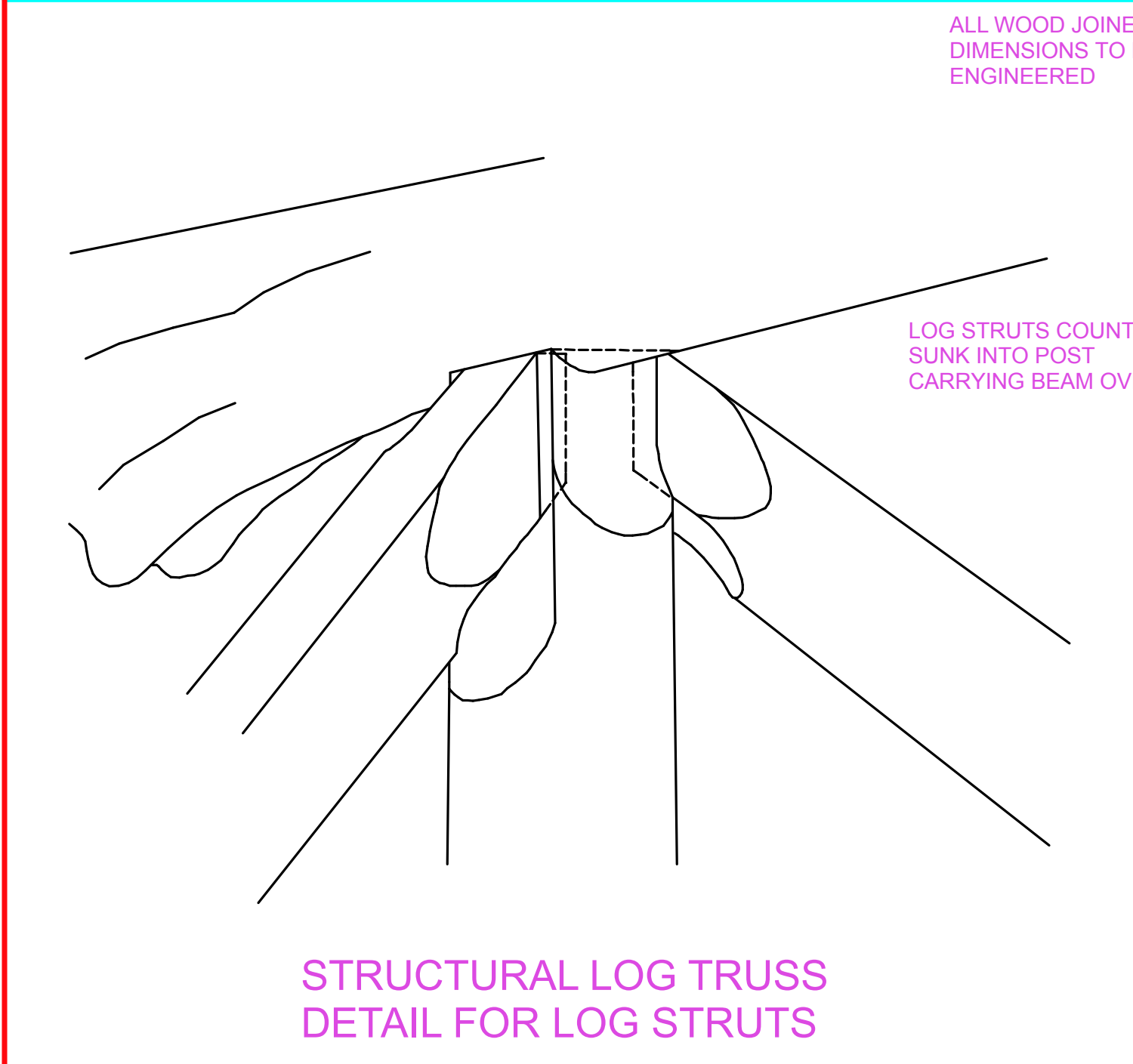
STANDARD FLOOR BEAM CONNECTION

ALL WOOD JOINERY DIMENSIONS TO BE ENGINEERED



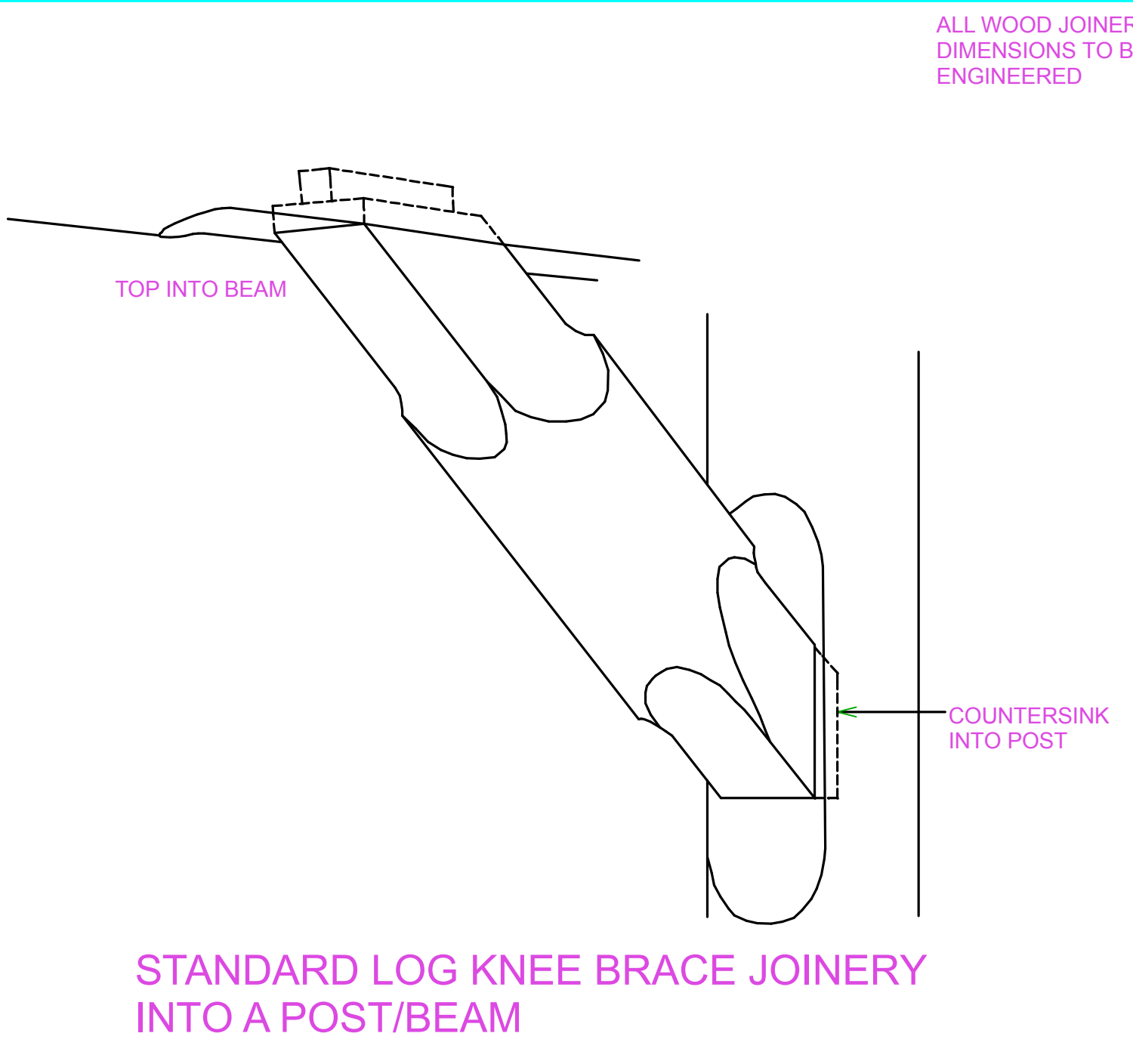
BEAM TO BEAM

ALL WOOD JOINERY DIMENSIONS TO BE ENGINEERED



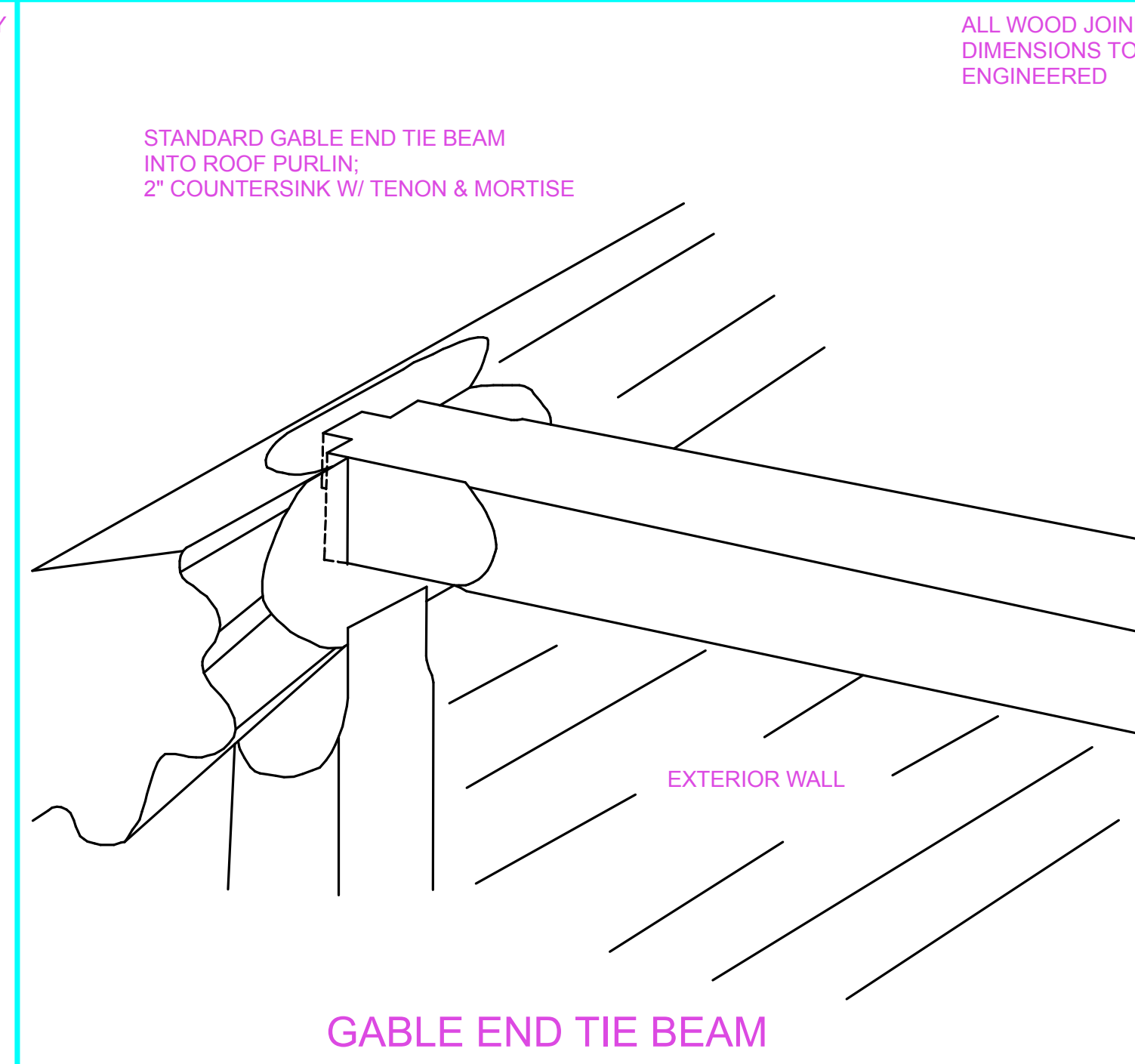
STRUCTURAL LOG TRUSS DETAIL FOR LOG STRUTS

ALL WOOD JOINERY DIMENSIONS TO BE ENGINEERED



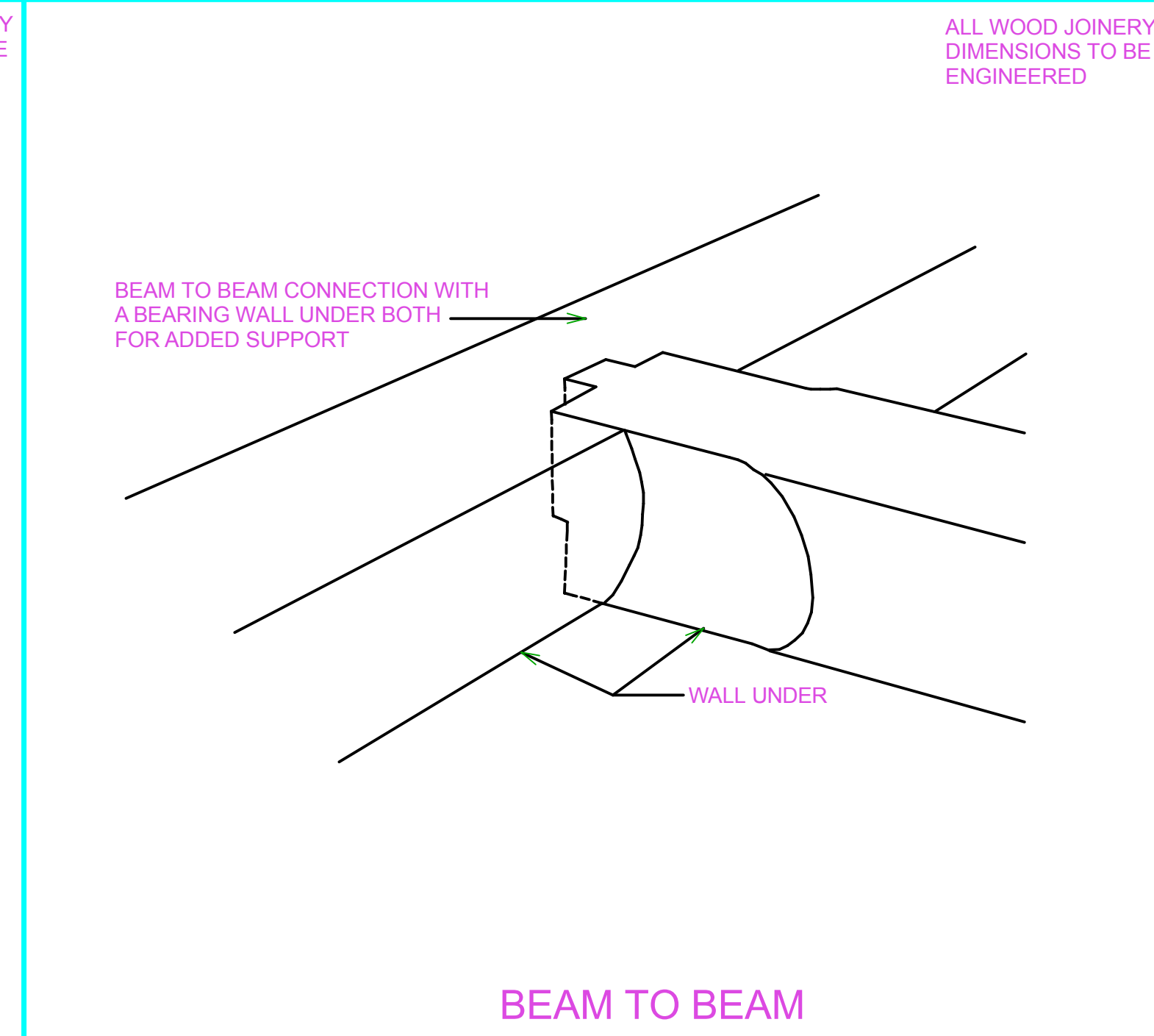
STANDARD LOG KNEE BRACE JOINERY INTO A POST/BEAM

ALL WOOD JOINERY DIMENSIONS TO BE ENGINEERED



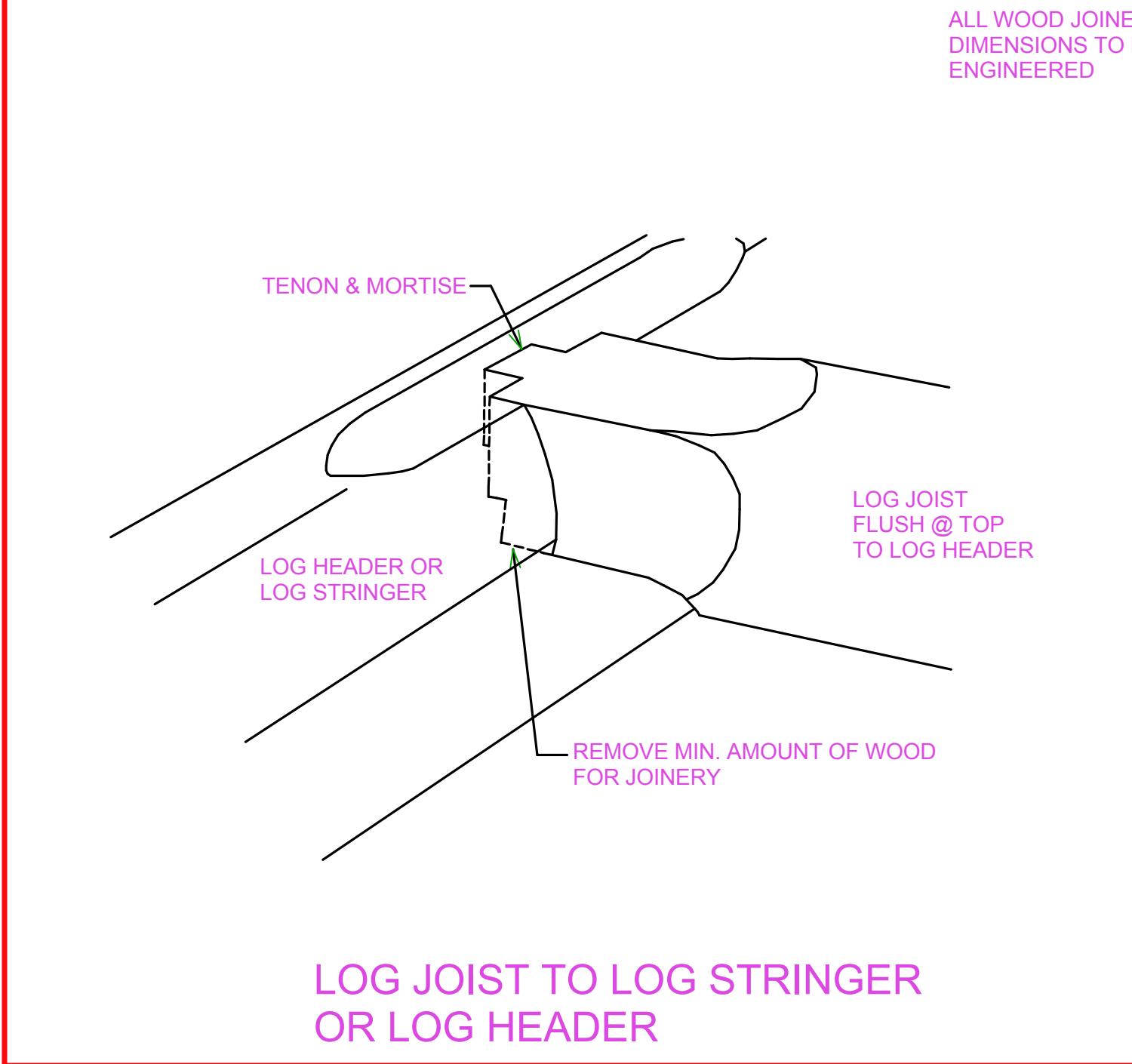
GABLE END TIE BEAM

ALL WOOD JOINERY DIMENSIONS TO BE ENGINEERED



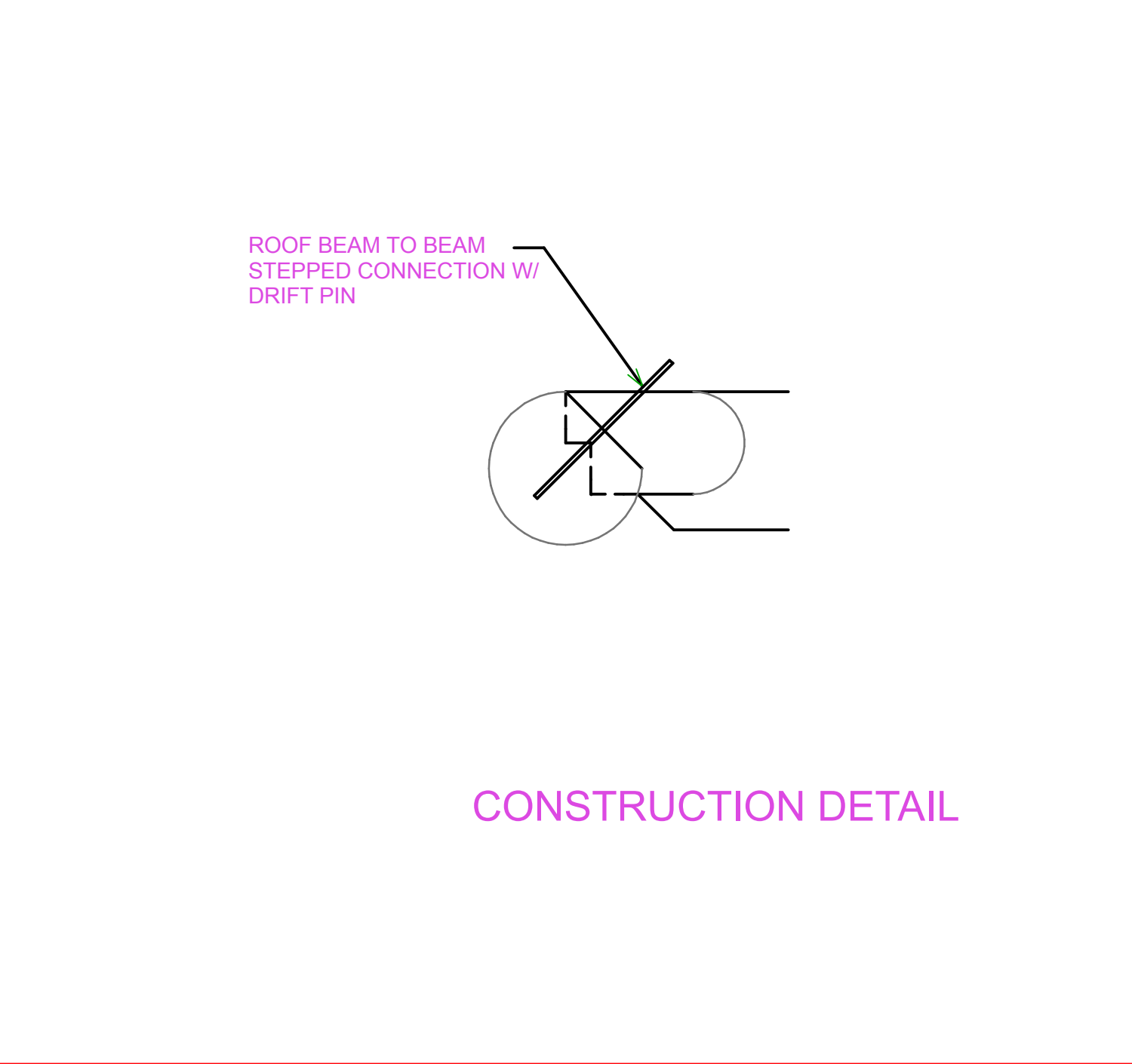
BEAM TO BEAM

ALL WOOD JOINERY DIMENSIONS TO BE ENGINEERED



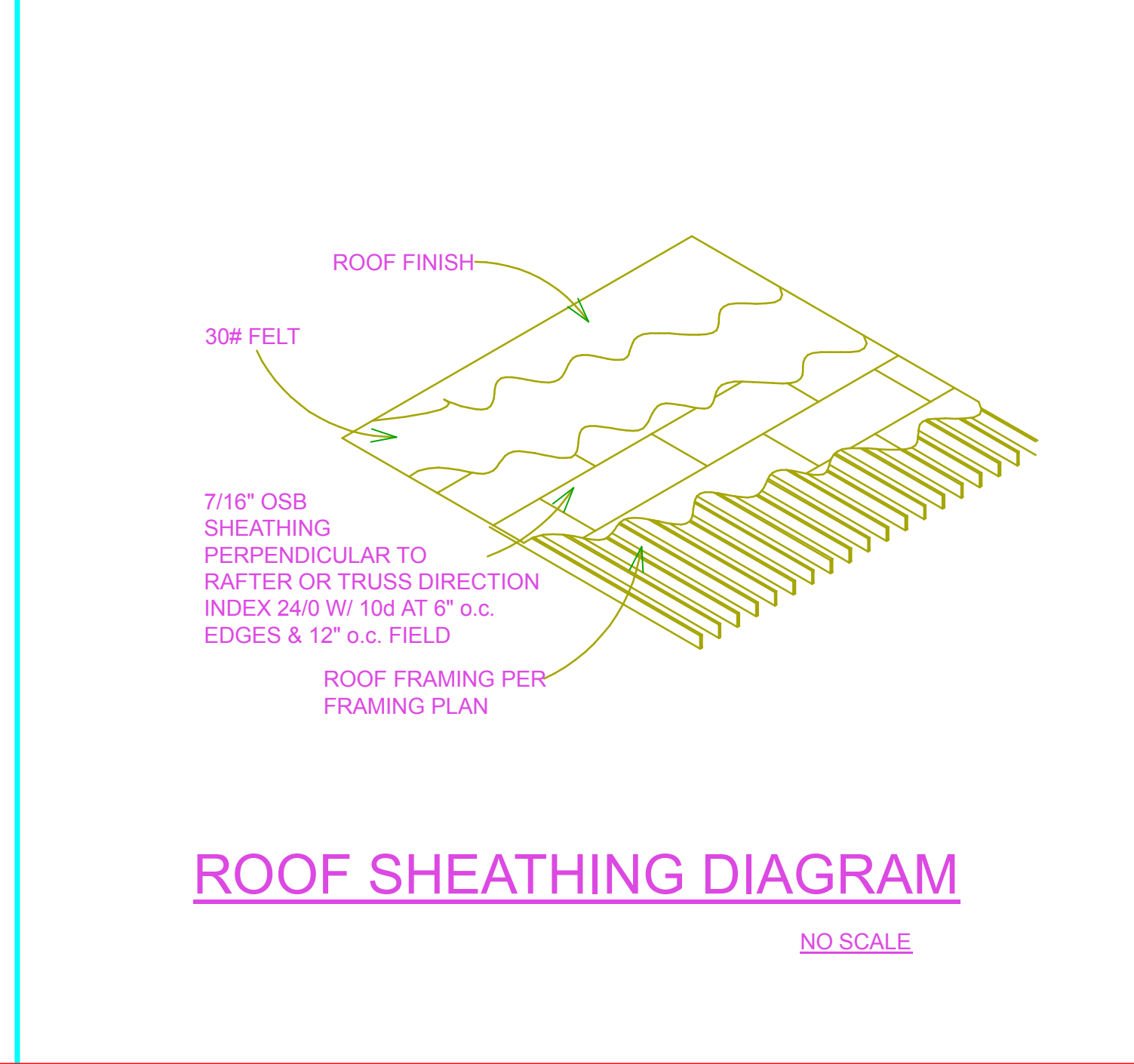
LOG JOIST TO LOG STRINGER OR LOG HEADER

ALL WOOD JOINERY DIMENSIONS TO BE ENGINEERED



CONSTRUCTION DETAIL

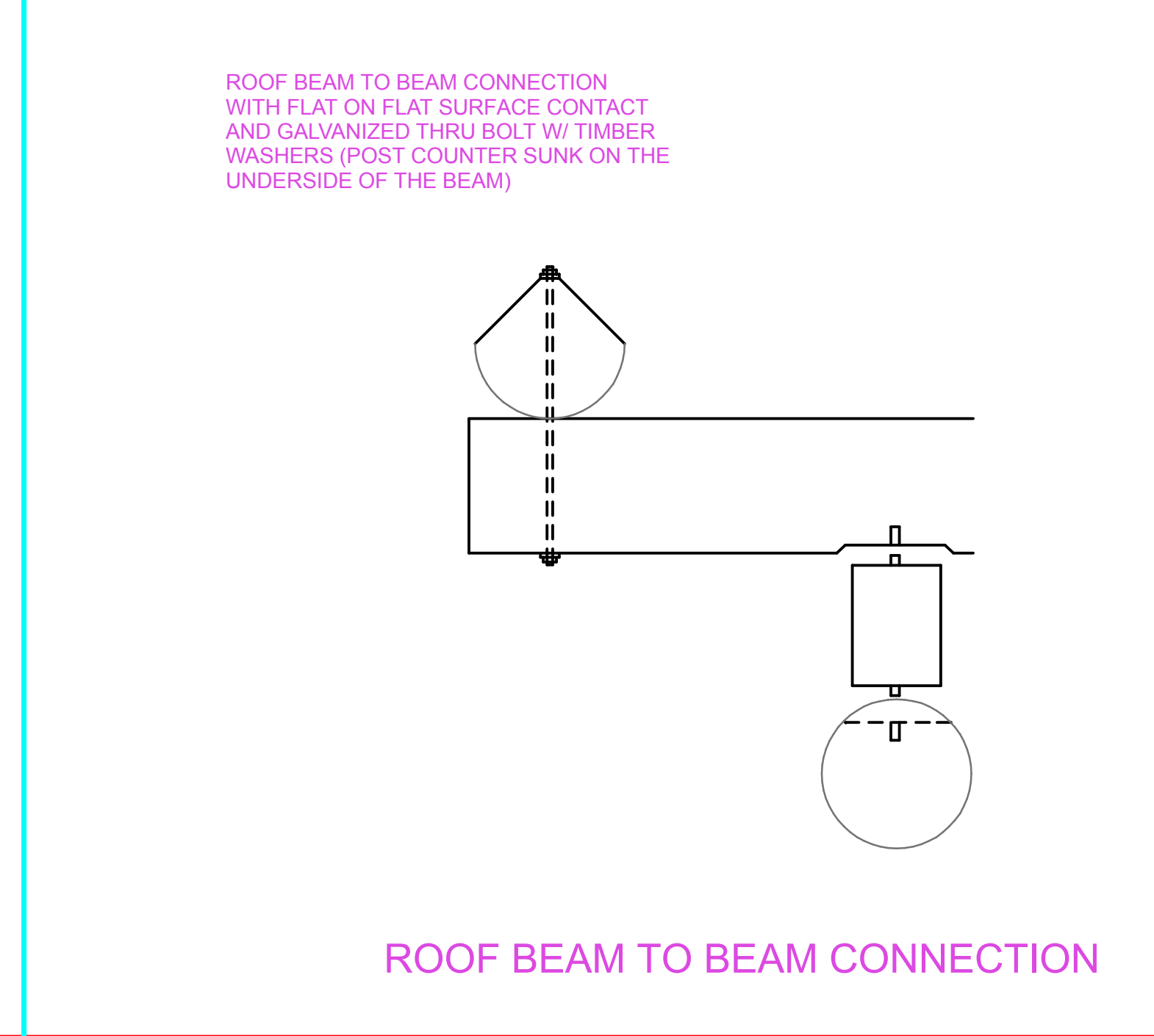
ALL WOOD JOINERY DIMENSIONS TO BE ENGINEERED



ROOF SHEATHING DIAGRAM

NO SCALE

ALL WOOD JOINERY DIMENSIONS TO BE ENGINEERED



ROOF BEAM TO BEAM CONNECTION

ALL WOOD JOINERY DIMENSIONS TO BE ENGINEERED

NOTE: COMPLETE SET OF DIMENSIONS TO BE ENGINEERED & STAMPED BY STATE LICENSED ENGINEER

ALL DIMENSIONS TO BE VERIFIED ON SITE BY GENERAL CONTRACTOR. IT IS THE SOLE RESPONSIBILITY OF THE GENERAL CONTRACTOR TO CHECK & VERIFY ALL DIMENSIONS & SPECIFICATIONS ON THIS SET OF DRAWINGS.

ALL LOG DIAMETER SIZE TO BE MEASURED AT MID SPAN. BUILDER IS RESPONSIBLE FOR COMPLYING WITH ALL LOCAL BUILDING CODES AND PRACTICES.

R.C.M. Cad Design
 RCM CAD DESIGN
 SUJMAS, WA, 98296-8000
 SUJMAS, WA, 98296-8000
 PHONE: (604) 850-6723 FAX: (604) 850-6734
 www.loghomedesign.ca

SCALE:	NOT TO SCALE	REVISION:	DATE:	DESCRIPTION:
DATE:	OCTOBER 19, 2006	REV. 1		
DRAWN BY:	C.C.	REV. 2		
CHECKED BY:	C.C.	REV. 3		

LOG BUILDER: PORT ALBERI CHAMBER OF COMMERCE
 CLIENT: PORT ALBERI CHAMBER OF COMMERCE
 TITLE: DETAILS

06 12