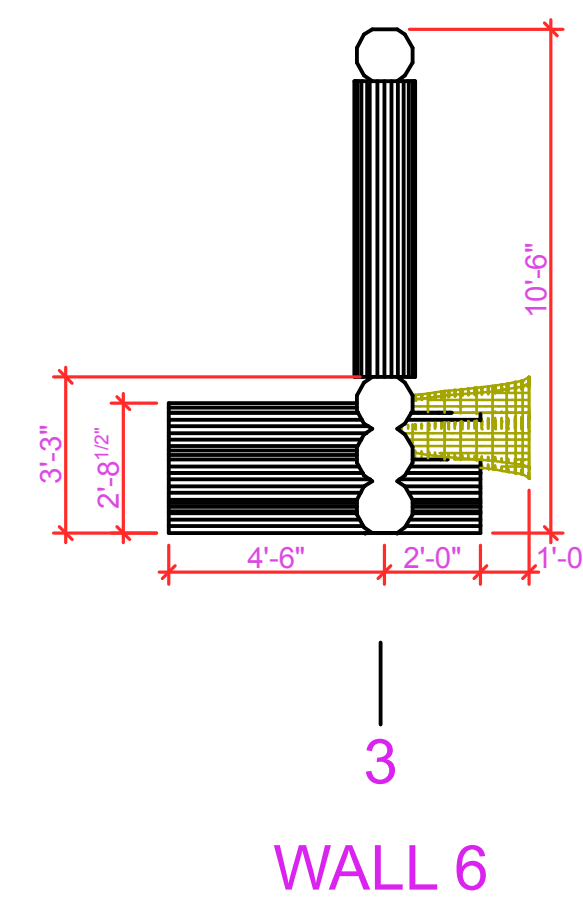
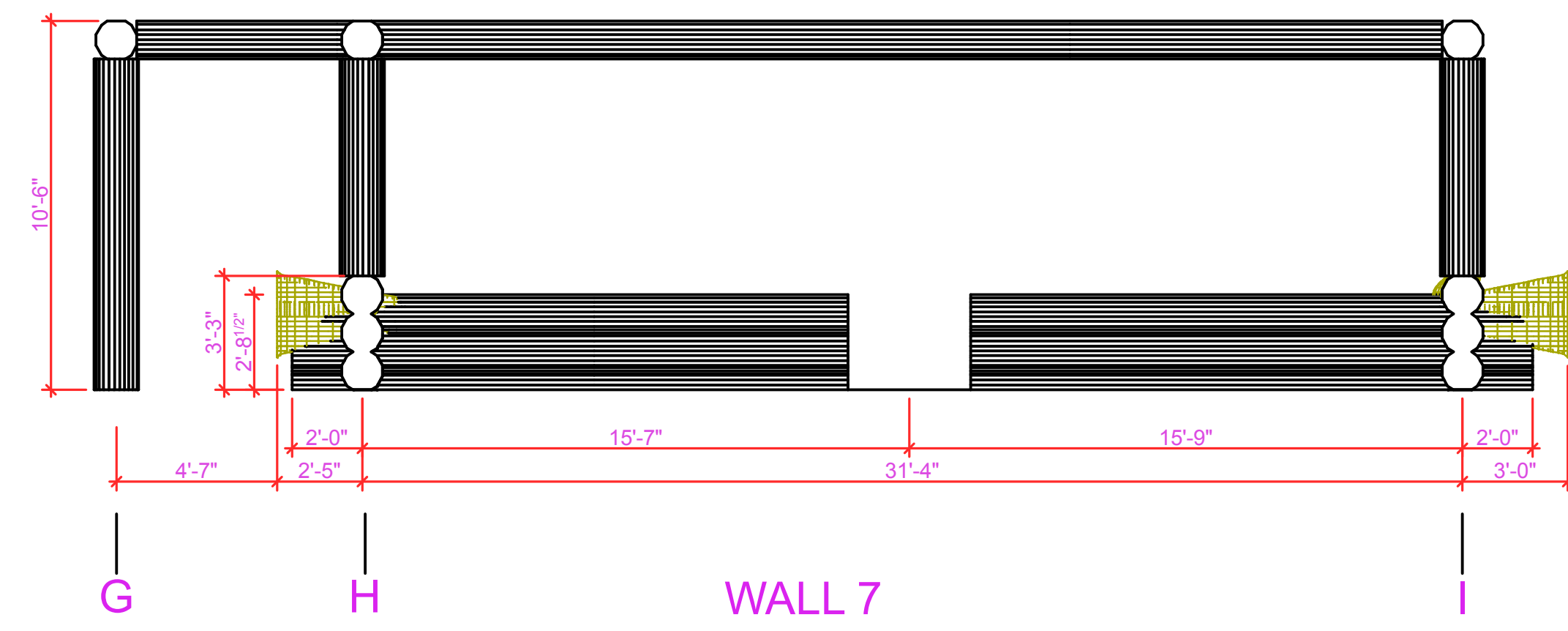


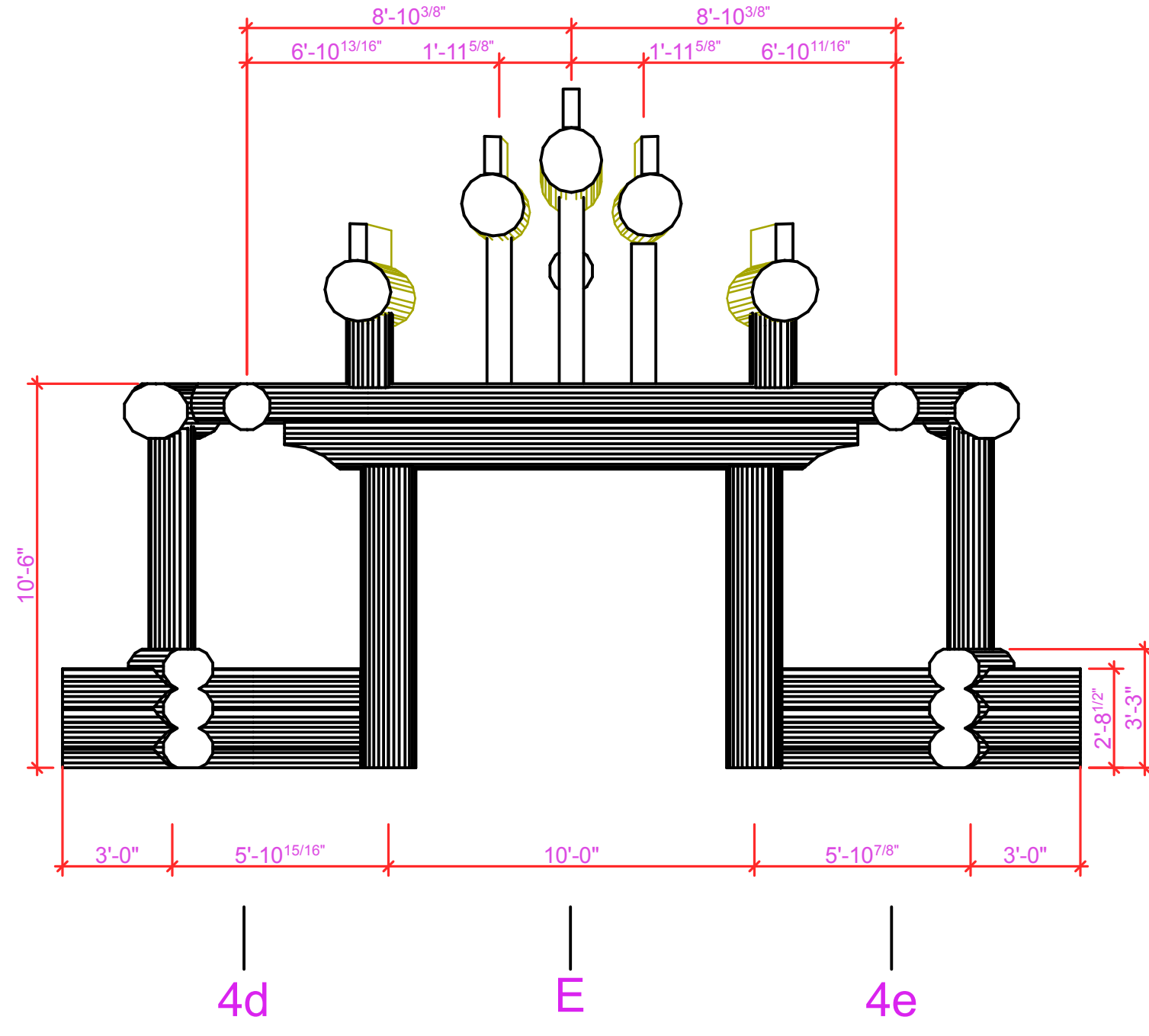
WALL 5



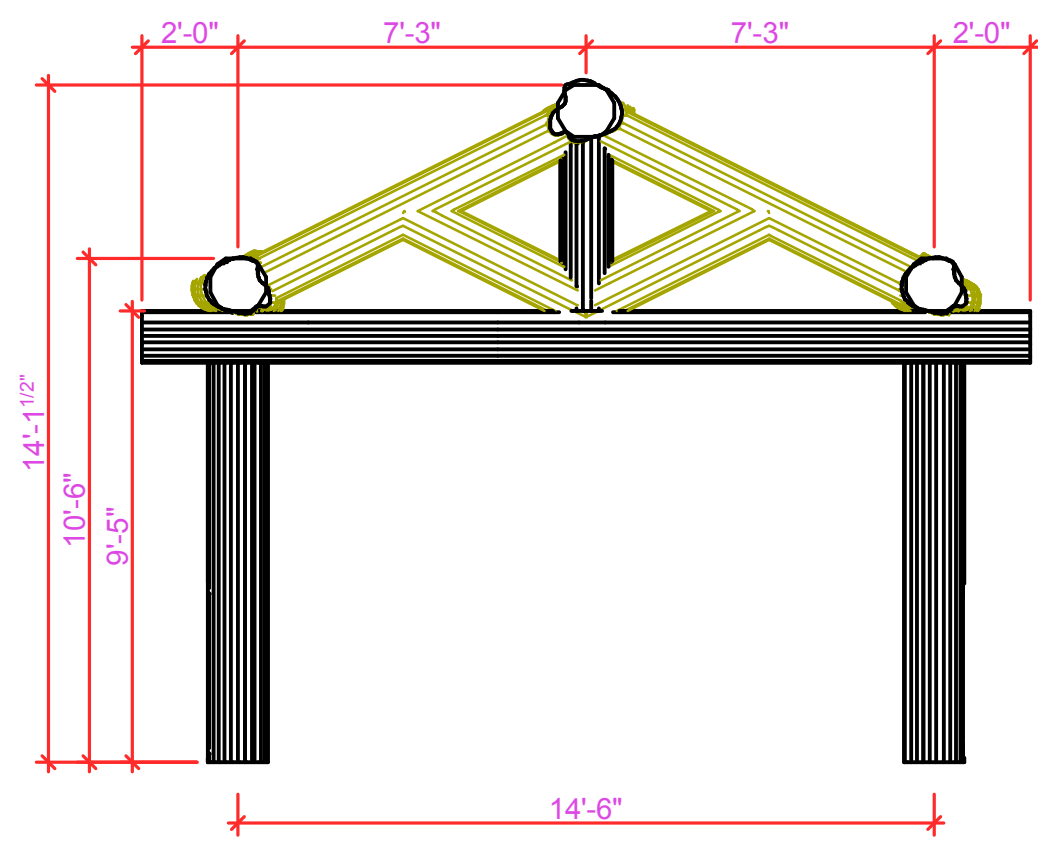
WALL 6



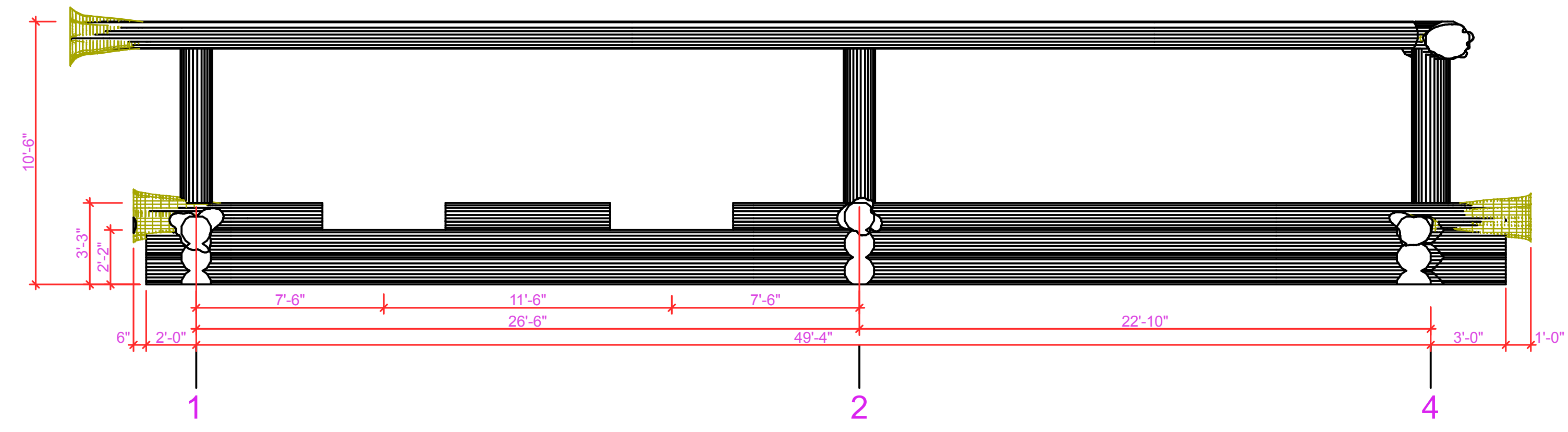
WALL 7



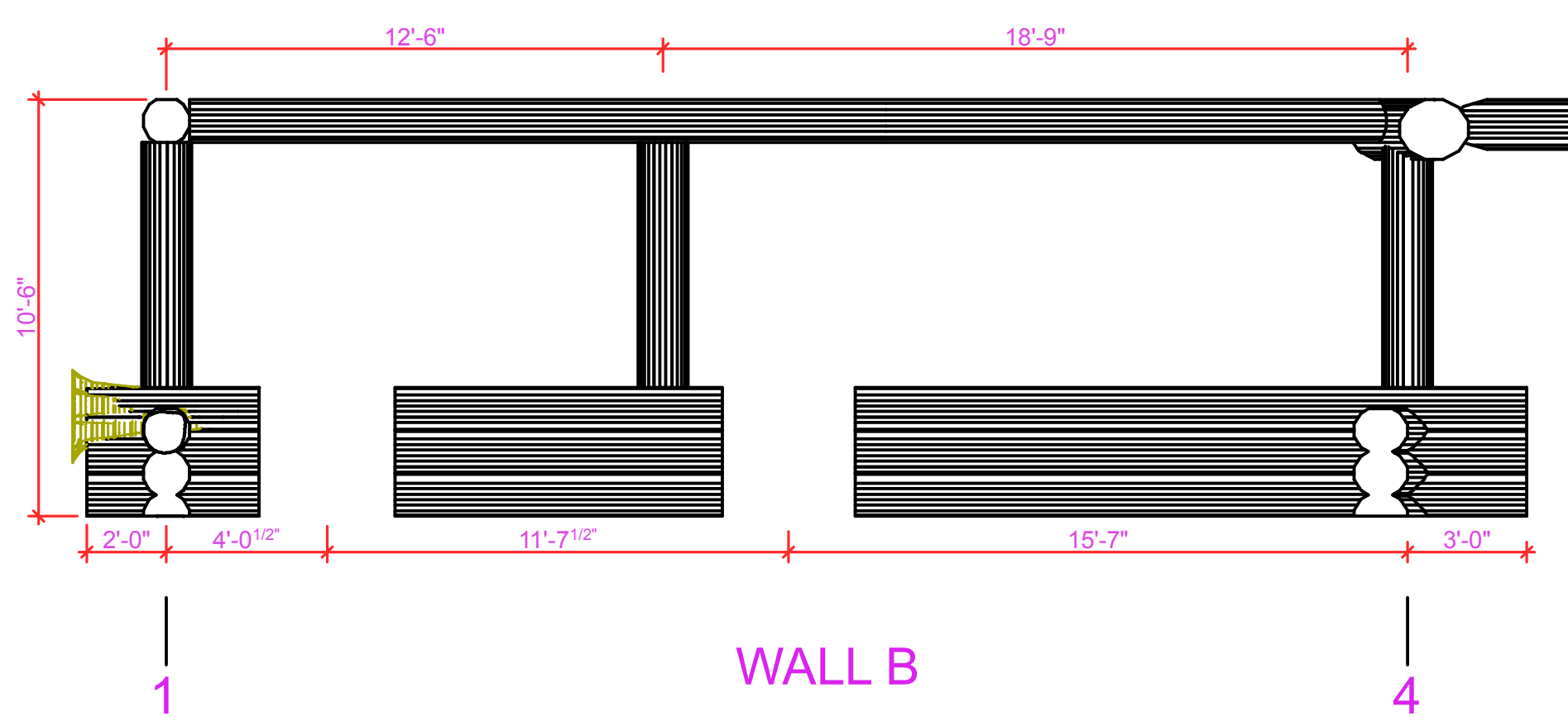
WALL 8



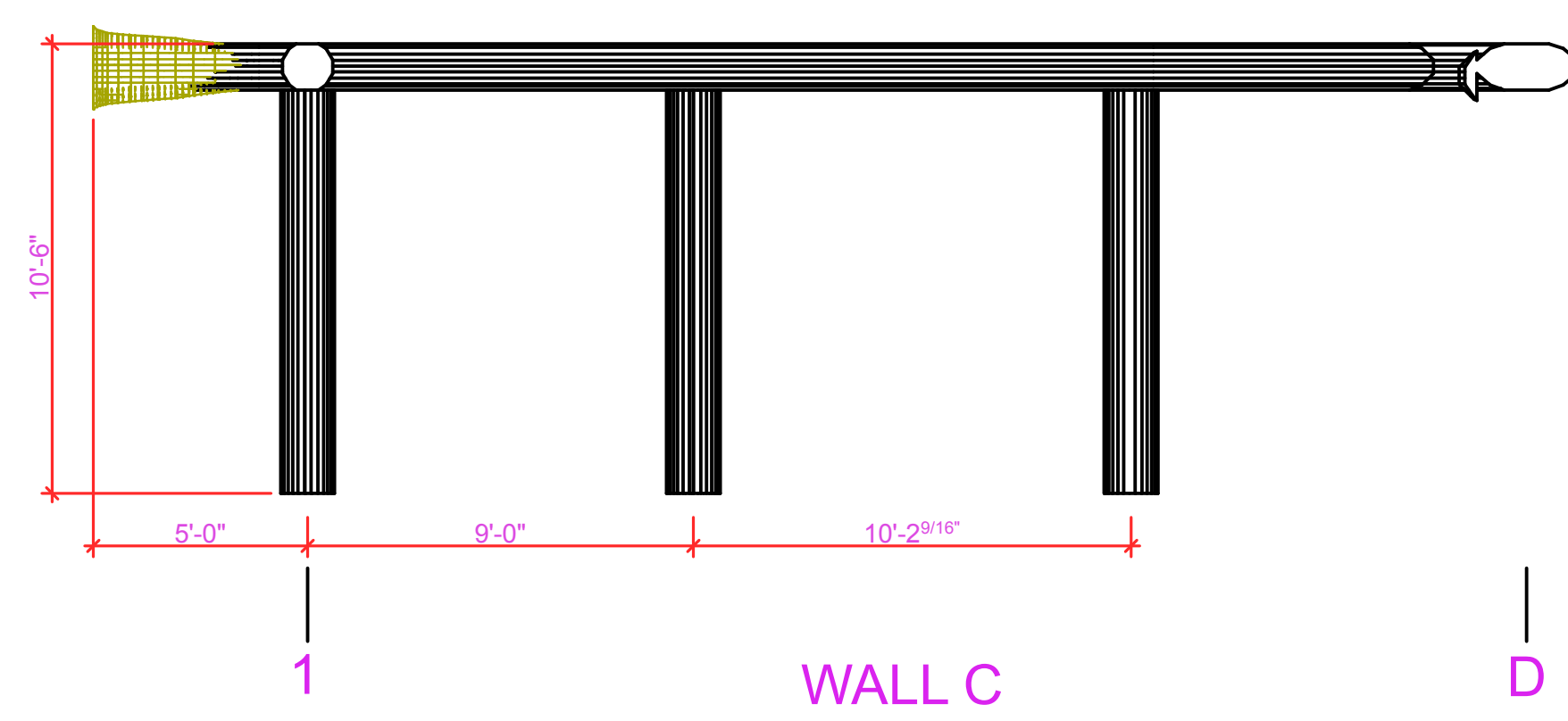
WALL 9



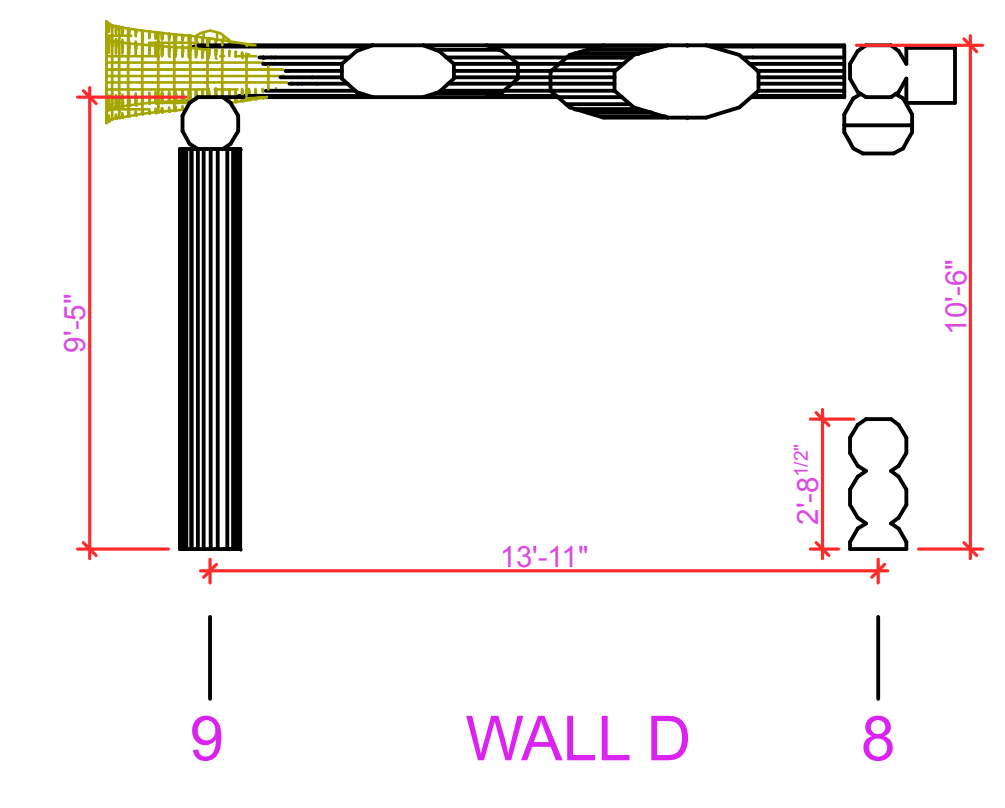
WALL A



WALL B



WALL C



WALL D

LOG BUILDER: 04C
 CLIENT: PORT ALBERNI CHAMBER OF COMMERCE
 TITLE: WALL SECTIONS
 SCALE: 1/4" = 1'-0"
 DATE: OCTOBER 19, 2006
 DRAWN BY: C.C.
 CHECKED BY: C.C.
 REVISION: REV. 1, REV. 2, REV. 3
 DATE: , ,
 DESCRIPTION: , , ,
 R.C.M. Cad Design Drafting Ltd. 200-34314 MARSHALL RD. ABBOTSFORD, B.C. V2S 1L8
 PHONE: (604) 850-6723 FAX: (604) 850-6724
 www.rcmdesign.ca
 NOTE: COMPLETE SET OF PLANS TO BE ENGINEERED & STAMPED BY LICENSED ENGINEER
 ALL DIMENSIONS TO BE VERIFIED ON SITE BY GENERAL CONTRACTOR
 ALL DIMENSIONS ARE CONSTRUCTION TIME DIMENSIONS
 CHECK & VERIFY ALL DIMENSIONS & SPECIFICATIONS ON THIS SET OF PLANS BEFORE STARTING CONSTRUCTION
 ALL LOS DIAMETER SIZE TO BE MEASURED AT MID SPAN
 LOCAL BUILDING CODES AND PRACTICES