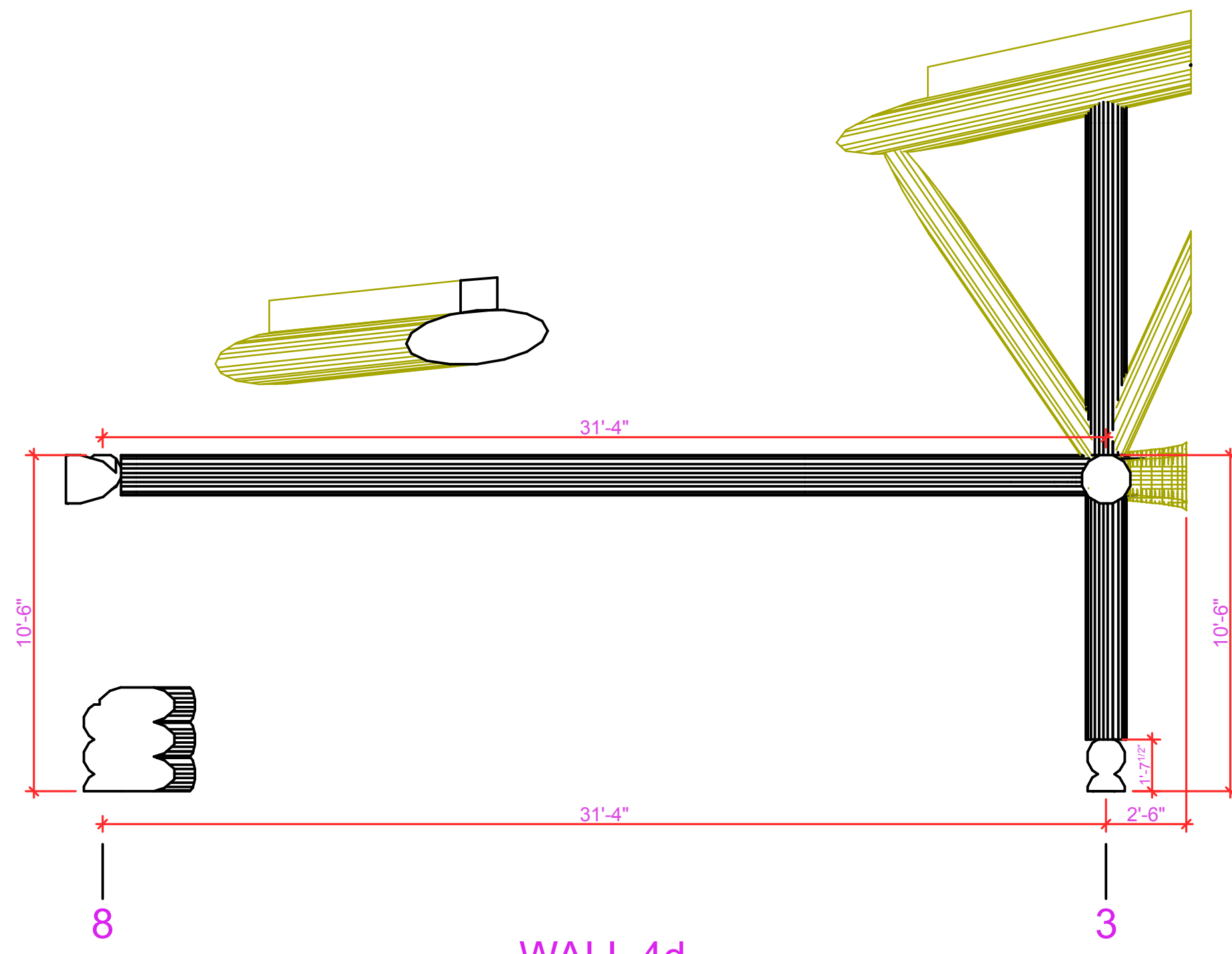
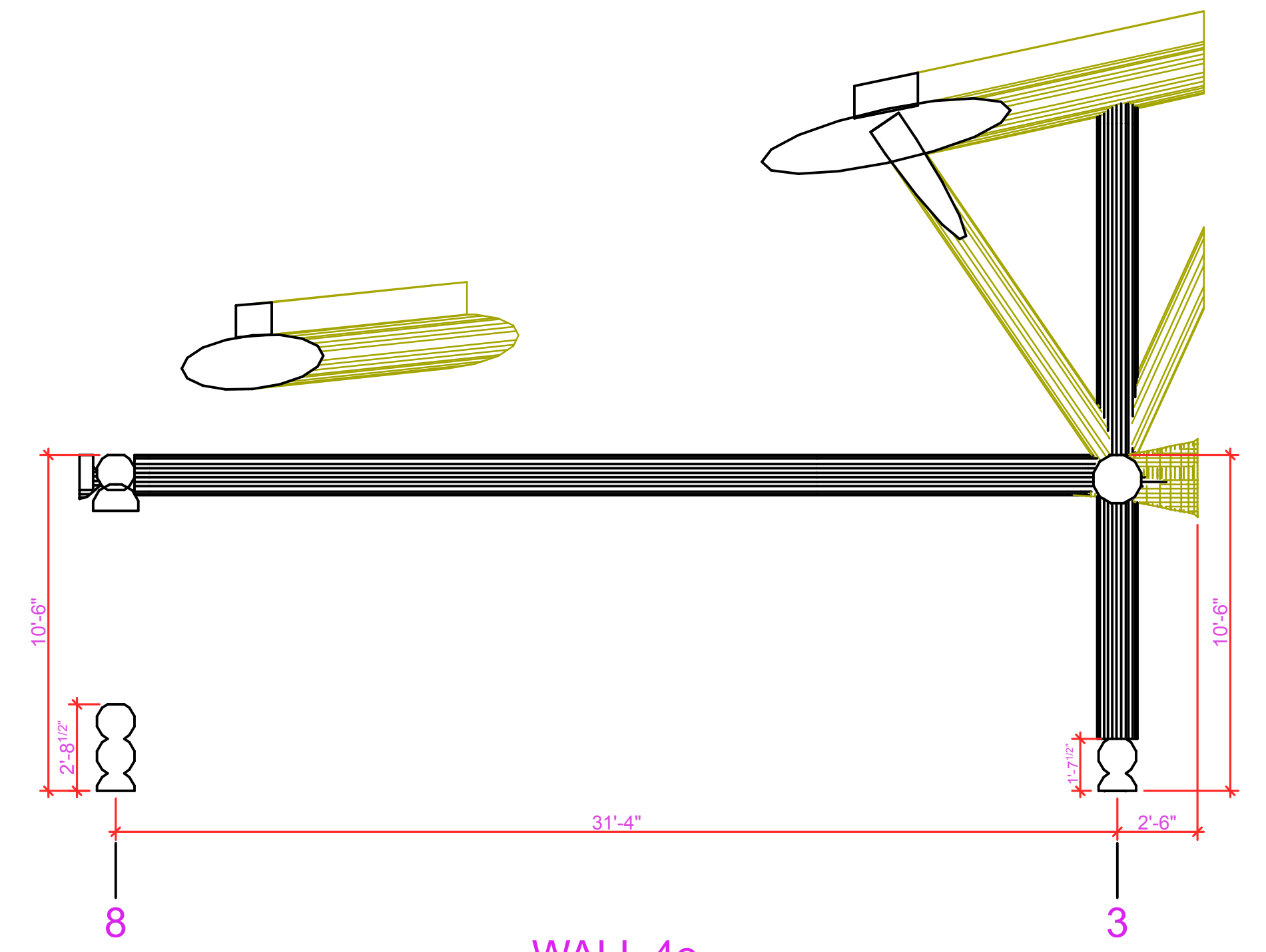


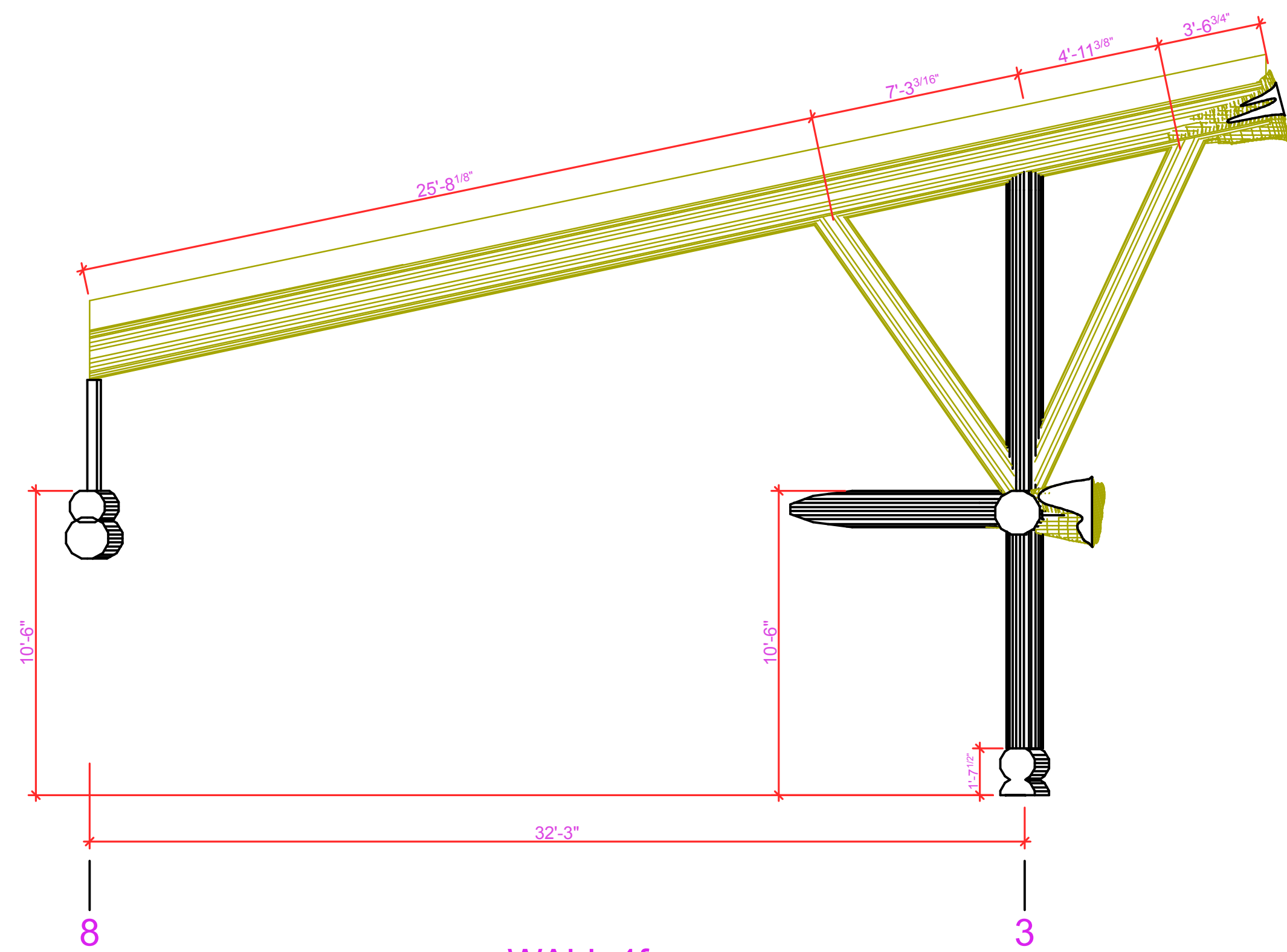
WALL 4c



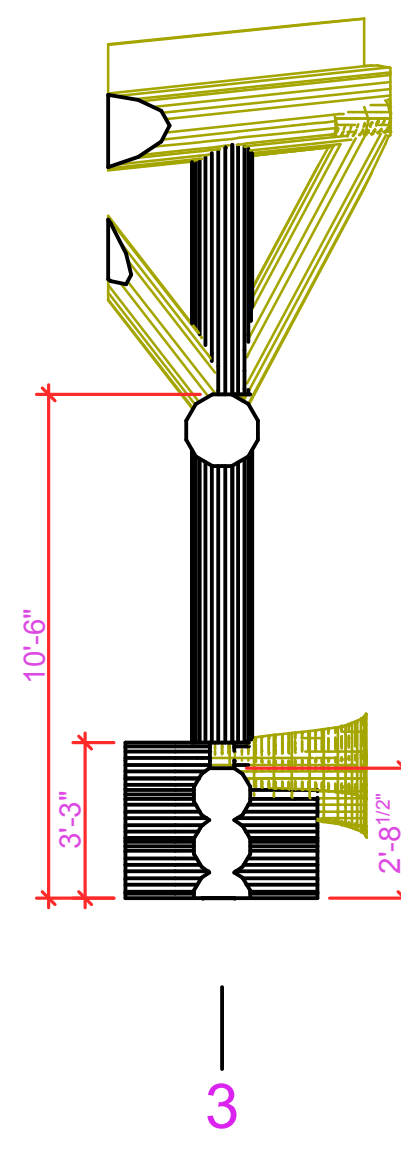
WALL 4d



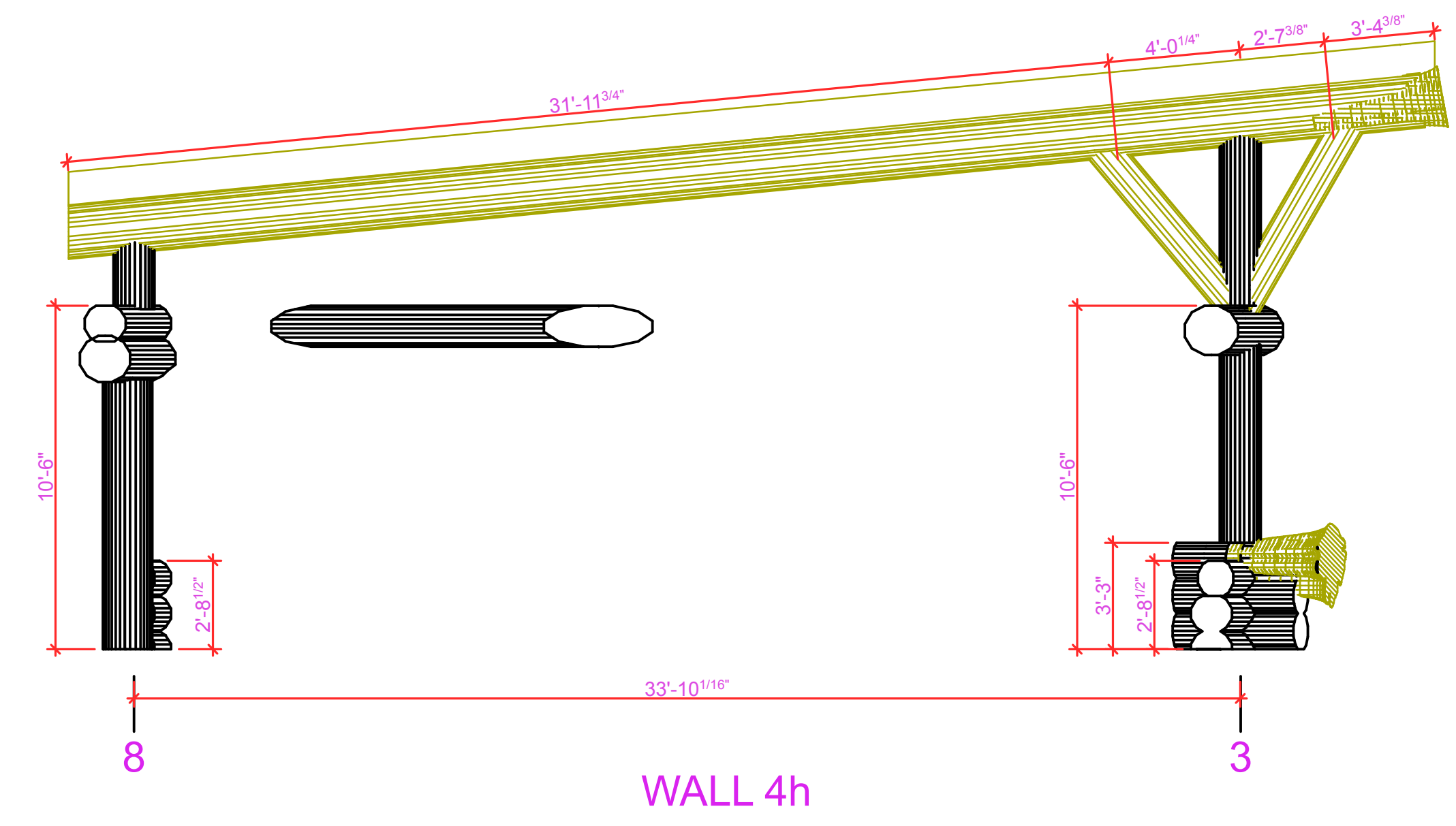
WALL 4e



WALL 4f



WALL 4g



WALL 4h

LOG BUILDER: 04B
 CLIENT: PORT ALBERNI CHAMBER OF COMMERCE
 TITLE: WALL SECTIONS

REVISION:	DATE:	DESCRIPTION:
REV. 1	14" = 1'-0"	
REV. 2	DATE: OCTOBER 19, 2006	
REV. 3	DRAWN BY: C.C.	

SCALE: 1/4" = 1'-0"
 DATE: OCTOBER 19, 2006
 DRAWN BY: C.C.
 CHECKED BY: C.C.

LOG BUILDER: 04B
 CLIENT: PORT ALBERNI CHAMBER OF COMMERCE
 TITLE: WALL SECTIONS

NOTE:
 ALL DIMENSIONS TO BE VERIFIED ON SITE BY GENERAL CONTRACTOR.
 ALL DIMENSIONS ARE CONSTRUCTION TIME DIMENSIONS.
 CHECK & VERIFY ALL DIMENSIONS & SPECIFICATIONS TO THIS SET OF PLANS BEFORE STARTING CONSTRUCTION.
 ALL LOGS DIAMETER SIZE TO BE MEASURED AT MID SPAN.
 LOCAL BUILDING CODES AND PRACTICES.

R.C.M. Cad Design
 Drafting Ltd.
 200-34314 MARSHALL RD.
 ABBOTSFORD, B.C. V2S 1L8
 PHONE: (604) 850-6723 FAX: (604) 850-6724
 www.rcmdesign.ca

COMPLETE SET OF PLANS TO BE ENGINEERED & STAMPED BY LICENSED ENGINEER